

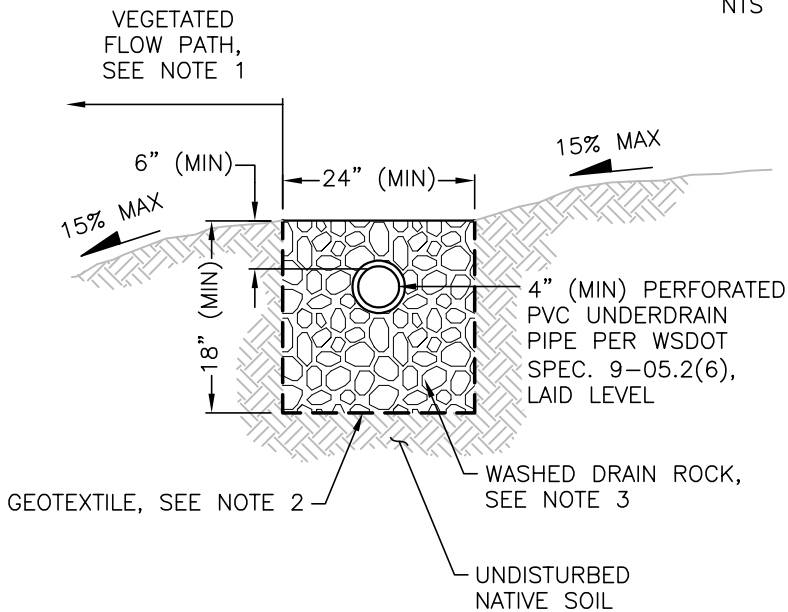
PLAN
NTS

GENERAL NOTES:

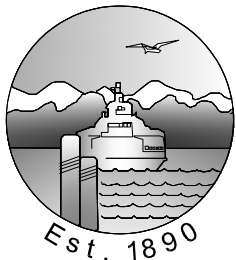
1. REFER TO THE 2022 CITY OF EDMONDS STORMWATER ADDENDUM FOR SETBACK AND INFEASIBILITY REQUIREMENTS.

NOTES:

1. A VEGETATED FLOW PATH MUST BE PROVIDED IN ACCORDANCE THE 2022 CITY OF EDMONDS STORMWATER ADDENDUM REQUIREMENTS.
2. GEOTEXTILE SHALL CONFORM TO WSDOT SPEC. 9-33.2(1), GEOTEXTILE FOR SEPARATION, NON-WOVEN TYPE.
3. WASHED DRAIN ROCK SHALL CONFORM TO WSDOT SPEC. 9-03.12(5), GRAVEL BACKFILL FOR DRYWELLS.



DISPERSION TRENCH
NTS



CITY OF EDMONDS
PUBLIC WORKS
DEPARTMENT

TYPICAL DOWNSPOUT
DISPERSION TRENCHES
FOR ROOFS

APPROVED BY: R. ENGLISH

REVISION DATE
SEPTEMBER 2023

STANDARD
DETAIL
SD-631